

YMF744/754 PCI SOUND CARD

Hardware Installation

USER MANUAL

July 1999

1	Minimum System Requirements	3
2	Safety Precaution	3
3	Installation Notes	4
4	Installing the Sound Card	4
5	Connecting the Sound Card	7

1 Minimum System Requirements

Installation of your Elite Value™ requires the following hardware and operating system:

- IBM® PC or compatible Pentium® system with one available PCI slot.
- 32MB RAM
- Approximately 16MB of space on your hard disk.
- CD ROM drive
- One pair of powered speakers or headphones.
- Windows® 95, Windows® 98, or Windows® NT® 4.0 with SP3.

Other optional hardware that will enable you to take advantage of some of Elite Value™ additional features include:

- A second set of powered speakers that will give you four speaker “quad” mode for additional 3D sound immersion.
- A microphone for external recording or karaoke.
- A joystick for gaming.
- A MIDI device for true music enthusiasts.

2 Safety Precaution

- Do not remove your sound card from its protective bag until you are ready to install it.
- Always try to hold your sound card by its edges. Avoid touching any electronic components on your sound card.
- Static electricity can cause permanent damage to your sound card. To prevent such damage, you must ground yourself while installing the card:
- Use a grounding strap - a coiled wire with a clip at one end and an elastic strap at the other. Wear the strap around your wrist and attach the clip to any non-painted metal surface of your computer chassis.

OR

- If you do not have a grounding strap, touch any non-painted surface of your computer chassis before you begin installation.

3 Installation Notes

Computers come in different shapes and sizes. The installation procedures in this manual apply generally and you should compare the illustrations here with your computer before you start your sound card installation.

A Philips screwdriver is required for your sound card installation.

The documentation for your computer should come in handy during the installation. Have it ready when you start the installation.

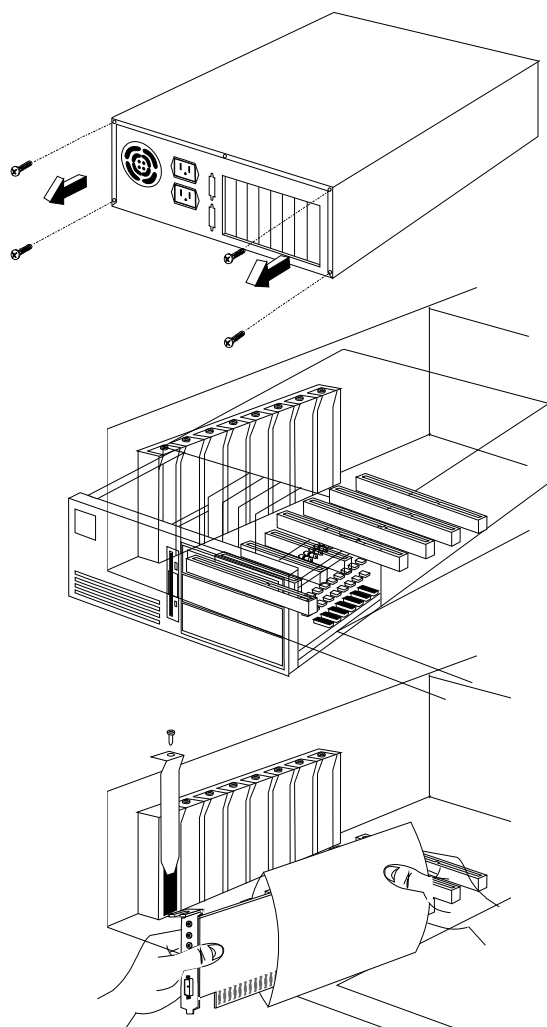
If you have an existing non Plug-n-Play sound card installed in your computer, you must first un-install its audio drivers before you remove the card. Refer to your existing documentation on the sound card for more details.

If your existing sound card is Plug-n-Play, you may safely proceed to install your new sound card.

4 Installing the Sound Card

Power off your computer and any connected devices before installing your sound card!

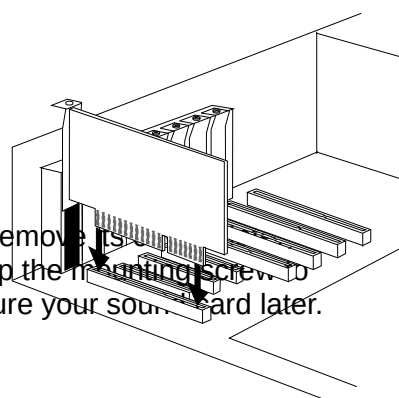
You need to remove any existing sound card installed in your computer. If the sound card is non Plug-and-Play, un-install the audio drivers before you remove the card from your computer. Check your existing sound card documentation for details.



1. Remove the screws attaching the cover to the computer.

2. Remove the the cover of the computer.

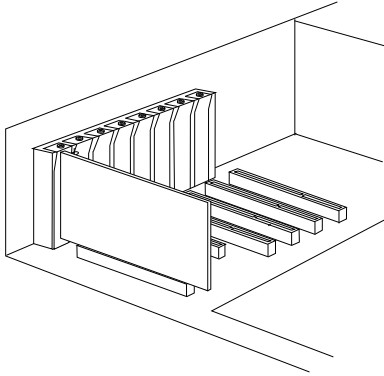
4. Remove the sound card. Keep the mounting screw to secure your sound card later.



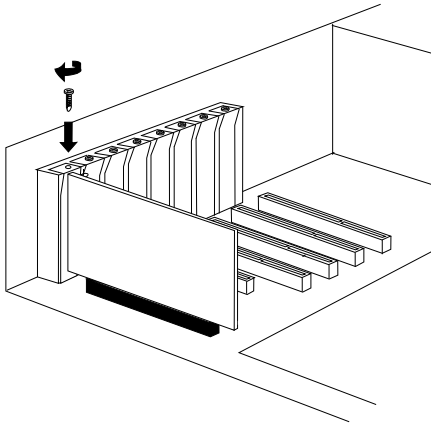
5. Make sure the card is seated firmly.

YMF744/754 PCI Sound Card

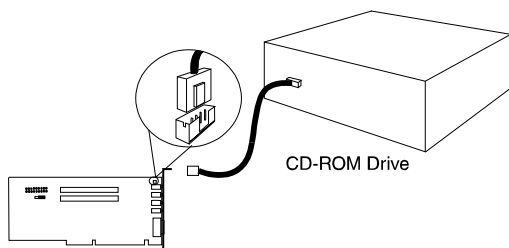
Installation



6. Tighten up the screw holding the sound card to the computer chassis. Do not overtighten!



7. Attach the CD-ROM and other Audio cables from the CD-ROM or other devices to the sound card.



8. Put back the cover of your computer.

4. Secure your sound card to the chassis of your computer with the mounting screw removed in Step 2.

YMF744/754 PCI Sound Card

Connect one end of the CD cable to the black connector (MPCCD). Connect the other end to your CD drive.

5 Connecting the

You may connect a variety of audio equipment to your sound card as shown in the illustration below:

Line-In:

Connect from any external sound sources, example, from the Line/Audio Out of your external Audio CD-ROM or mini-hifi. (Sound will be transmitted out from the attached speakers)

Microphone Jack:

Connect to a microphone. Example, you may want to sing Karaoke through the microphone. (Sound will be transmitted out from the attached speakers)

Front Speakers:

Connect a pair of active speakers to the front of your computer.

Rear Speakers:

Connect a pair of active speakers to the back of your computer.

MIDI/Game Port:

Connect to your MIDI instrument and/or joystick.

S/PDIF Input and Output:

Connect to and from a device with digital outputs and/or inputs.