

YMF724 - PCI SOUND CARD

Configuration and Hardware USER MANUAL

May 1999

TABLE OF CONTENTS

1. DESCRIPTION.....	2
1.1. FEATURES.....	2
2. CARD FIGURE FOR “YMF724 D10”.....	3
2.1. CONNECTORS FOR “YMF724 D10”.....	3
2.1.1. <i>External Connectors:</i>	3
2.1.2. <i>Internal Connectors:</i>	3
2.2. AUDIO CONNECTORS:.....	4
3. CARD FIGURE FOR “YMF724 G50”.....	5
3.1. CONNECTORS FOR “YMF724 G50”.....	5
3.1.1. <i>External Connectors:</i>	5
3.1.2. <i>Internal Connectors:</i>	5
3.2. AUDIO CONNECTORS:.....	6
3.3. AUDIO OUTPUT JUMPER SETTINGS JP1:.....	7
4. CARD FIGURE FOR “YMF724 J8X WITH 4-CHANNEL OUTPUT”. 8	
4.1. CONNECTORS FOR “YMF724 J8X WITH 4-CHANNEL OUTPUT”.....	9
4.1.1. <i>External Connectors:</i>	9
4.1.2. <i>Internal Connectors:</i>	9
4.2. AUDIO CONNECTORS PIN ASSIGNMENT:.....	10
5. CARD FIGURE FOR “YMF724 J8X WITH S/PDIF OUTPUT”....	11
5.1. CONNECTORS FOR “YMF724 WITH S/PDIF OUTPUT”.....	12
5.1.1. <i>External Connectors:</i>	12
5.1.2. <i>Internal Connectors:</i>	12
5.2. AUDIO CONNECTORS PIN ASSIGNMENT:.....	13
5.3. AUDIO OUTPUT JUMPER SETTINGS :.....	14
6. HARDWARE INSTALLATION.....	14
6.1. SPDIF CABLE FOR D10/G50.....	14
6.2. HANDLING THE PCI SOUND CARD.....	14
6.3. INSTALLING THE PCI SOUND CARD.....	14

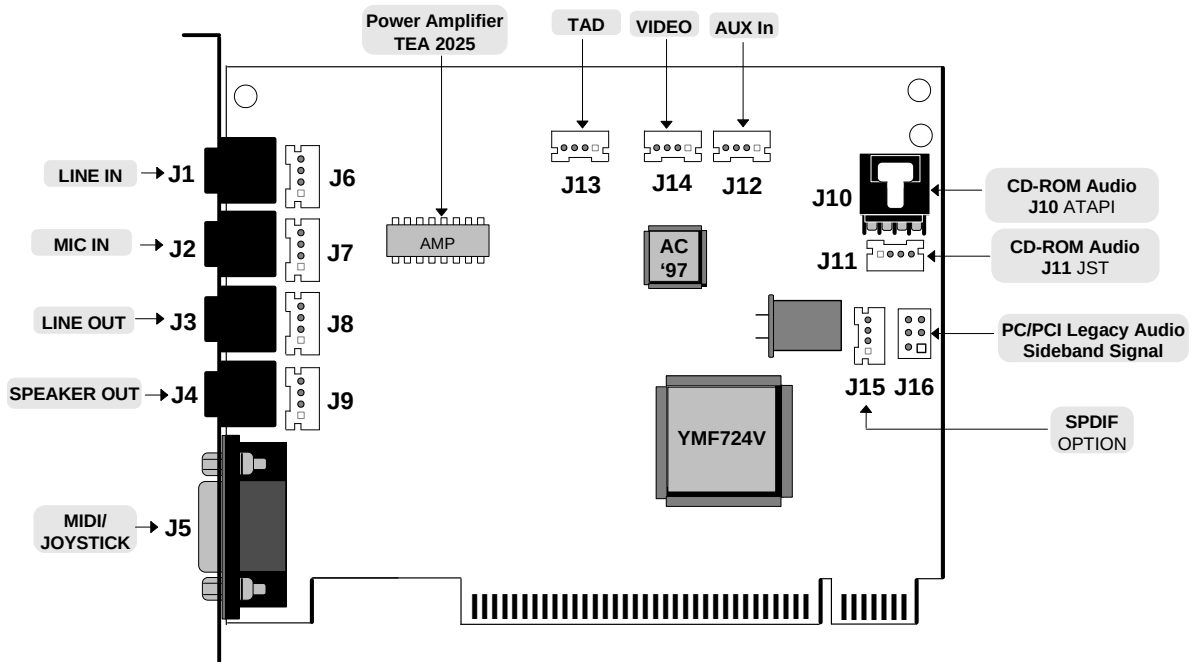
1. DESCRIPTION

“YMF724 D10”, “YMF724 G50”, and “YMF724 J80” are new audio adapters that provide the next generation of PCI audio performance to the PC market. The adapters not only meet the new demands of advanced PC audio applications but also enable the integration of a complete multimedia subsystem on a single adapter. The adapter functionality and interfaces are compliant with all major industry standards, including the SoundBlaster Compatible, PC’97, Windows® 95 Direct Sound, Windows® Sound System and PCI 2.1 bus specification.

1.1. Features

- PCI 2.1 compliant
- PCI Bus Power Management rev. 1.0 compliant
- PCI Bus master for PCI Audio
 - ⇒ True Full Duplex Playback and Capture with different Sampling Rate
 - ⇒ Maximum 64-voice XG capital Wavetable Synthesizer including
 - ⇒ GM compatibility
 - ⇒ Direct Sound Hardware Acceleration
 - ⇒ Direct Music Hardware Acceleration
 - ⇒ Downloadable Sound (DLS) level-1
- Legacy Audio compatibility
 - ⇒ Genuine OPL3
 - ⇒ Hardware SoundBlaster Pro compatibility
 - ⇒ MPU-401 UART mode MIDI interface
 - ⇒ Joystick
- Supports PC/PCI and distributed DMA for Legacy DMAC (8237) emulation
- Supports AC-1 interface (AC-Link)
- Single Crystal operation (24.576 MHz)
- 5V Power supply for I/O. 3.3V Power supply for internal core logic
- Compliant with AC’97 Requirements
 - ⇒ 4 Stereo Inputs: LINE, CD, VIDEO, AUX
 - ⇒ TAD connector for mono In and Output for modem Audio
 - ⇒ 1 MIC Input
 - ⇒ Stereo LINE Output/ Speaker Output
- 20 dB MIC Amplifier
- Analog Characteristics
 - ⇒ A/D S/N: 85 dB
 - ⇒ D/A S/N: 90 dB
- Low Power Consumption
- Built-in 2-Channel Power Amplifier

2. Card Figure for “YMF724 D10”



2.1. Connectors for “YMF724 D10”

“YMF724 D10” includes up to seven internal connectors, four external Jack Ports, one external MIDI/ Joystick connector, one VIDEO connector, one TAD/VOICE Modem connector, one SPDIF, and one PC/PCI Legacy AUDIO SIDEBAND SIGNAL connector.

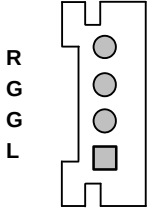
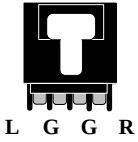
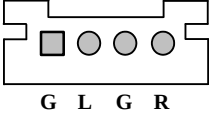
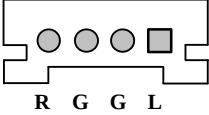
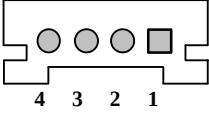
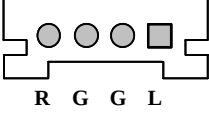
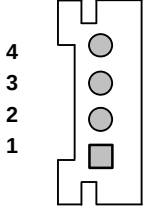
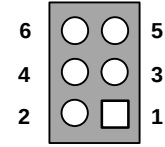
2.1.1. External Connectors:

- J1:..... ∅ 3.5mm Phone Jack for **LINE IN**.
- J2:..... ∅ 3.5mm Phone Jack for **MIC IN**.
- J3:..... ∅ 3.5mm Phone Jack for **LINE OUT**.
- J4:..... ∅ 3.5mm Phone Jack for **SPEAKER OUT**.
- J5:..... Connector for **MIDI/JOYSTICK**.

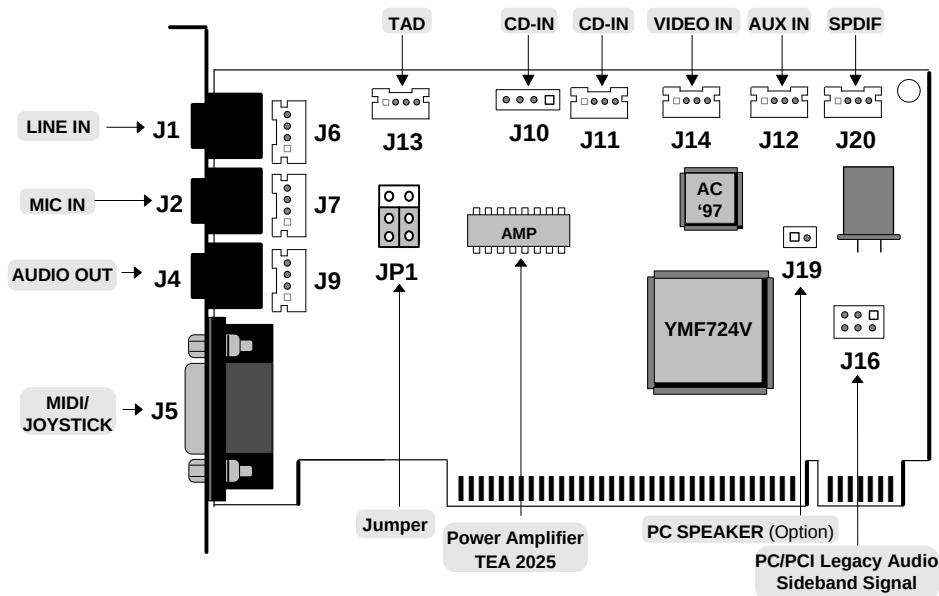
2.1.2. Internal Connectors:

- J6:..... Internal connector for **LINE IN**. (optional)
- J7:..... Internal connector for **MIC IN**. (optional)
- J8:..... Internal connector for **LINE OUT**. (optional)
- J9:..... Internal connector for **SPEAKER OUT**. (optional)
- J10:..... Connector for **CD AUDIO IN**. (ATAPI)
- J11:..... Connector for **CD AUDIO IN**. (JST)
- J12:..... Connector for **AUX IN**.
- J13:..... Connector for **TAD/VOICE MODEM**.
- J14:..... Connector for **VIDEO IN**.
- J15:..... Connector for **SPDIF** (optional)
- J16:..... Connector for **PC/PCI Legacy Audio SIDEBAND SIGNAL**.

2.2. Audio Connectors:

J6/J7/J8/J9:		<p>L: LEFT CHANNEL SIGNAL G: GROUND R: RIGHT CHANNEL SIGNAL</p>
J10: ATAPI CD-Audio		<p>L: LEFT CHANNEL SIGNAL G: GROUND R: RIGHT CHANNEL SIGNAL</p>
J11: CD-Audio		<p>L: LEFT CHANNEL SIGNAL G: GROUND R: RIGHT CHANNEL SIGNAL</p>
J12: AUX In		<p>L: LEFT CHANNEL SIGNAL G: GROUND R: RIGHT CHANNEL SIGNAL</p>
J13: TAD/Voice Modem		<p>1 PHONE IN 2 GROUND 3 GROUND 4 MONO OUT</p>
J14: VIDEO IN		<p>L: LEFT CHANNEL SIGNAL G: GROUND R: RIGHT CHANNEL SIGNAL</p>
J15: SPDIF		<p>1 SPDIF OUTPUT 2 GROUND 3 GROUND 4 SPDIF OUTPUT</p>
J16: PC/PCI		<p>1 PCGNT # 2 GROUND 3 N.C. 4 PCREQ # 5 GROUND 6 SERIRQ #</p>

3. Card Figure for “YMF724 G50”



3.1. Connectors for “YMF724 G50”

“YMF724 G50” includes up to eight internal connectors, three external Jack Ports, one external MIDI/ Joystick connector, one VIDEO connector, one TAD/VOICE Modem connector, and one PC/PCI Legacy AUDIO SIDEBAND SIGNAL connector.

3.1.1. External Connectors:

- J1:..... ∅ 3.5mm Phone Jack for **LINE IN**.
- J2:..... ∅ 3.5mm Phone Jack for **MIC IN**.
- J4:..... ∅ 3.5mm Phone Jack for **AUDIO OUT**.
- J5:..... Connector for **MIDI/JOYSTICK**.

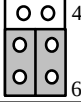
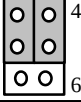
3.1.2. Internal Connectors:

- J6:..... Internal connector for **LINE IN** (optional)
- J7:..... Internal connector for **MIC IN** (optional)
- J9:..... Internal connector for **AUDIO OUT** (optional)
- J10:..... Connector for **CD-AUDIO IN**
- J11:..... Connector for **CD-AUDIO IN**
- J12:..... Connector for **AUX IN**
- J13:..... Connector for **TAD/VOICE MODEM**
- J14:..... Connector for **VIDEO IN**
- J16:..... Connector for **PC/PCI Legacy Audio SIDEBAND SIGNAL**
- J19:..... Connector for **PC SPEAKER** (optional)
- J20:..... Connector for **SPDIF** (optional)
- JP1:..... Jumper for switching between **LINE OUT/SPEAKER OUT**

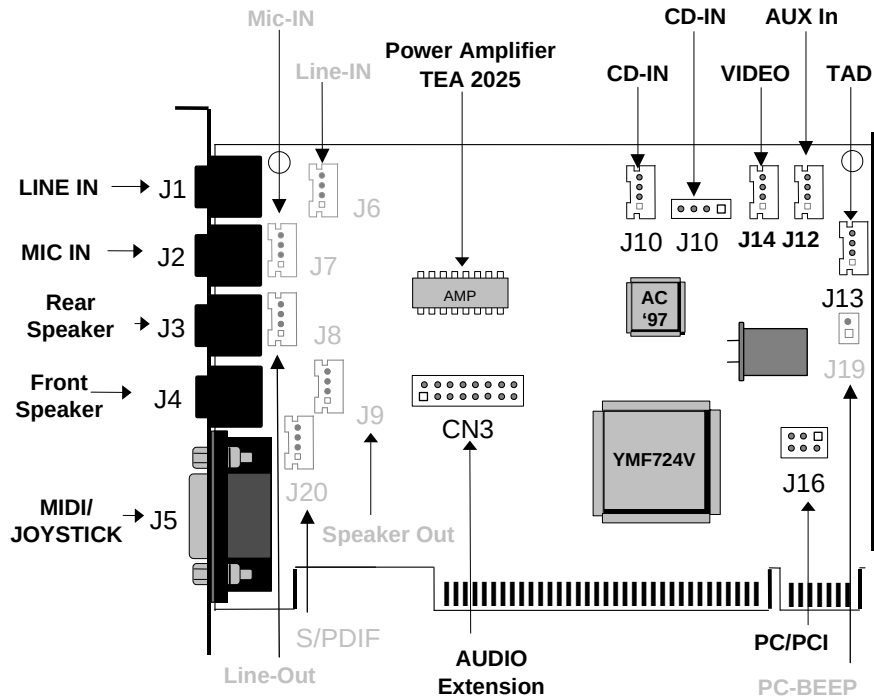
3.2. Audio Connectors:

J6/J7/J9:		<p>L: LEFT CHANNEL SIGNAL G: GROUND R: RIGHT CHANNEL SIGNAL</p>
J10: CD-Audio		<p>L: LEFT CHANNEL SIGNAL G: GROUND R: RIGHT CHANNEL SIGNAL</p>
J11: CD-Audio		<p>L: LEFT CHANNEL SIGNAL G: GROUND R: RIGHT CHANNEL SIGNAL</p>
J12: AUX In		<p>L: LEFT CHANNEL SIGNAL G: GROUND R: RIGHT CHANNEL SIGNAL</p>
J13: TAD/Voice Modem		<p>1 PHONE IN 2 GROUND 3 GROUND 4 MONO OUT</p>
J14: VIDEO IN		<p>L: LEFT CHANNEL SIGNAL G: GROUND R: RIGHT CHANNEL SIGNAL</p>
J16: PC/PCI		<p>1 PCGNT # 2 GROUND 3 N.C. 4 PCREQ # 5 GROUND 6 SERIRQ #</p>
J19: PC BEEP		<p>1 PC SPEAKER OUT 2 +5V</p>
J20: SPDIF		<p>1 SPDIF OUTPUT 2 GROUND 3 GROUND 4 SPDIF OUTPUT</p>

3.3. Audio Output Jumper Settings JP1:

Audio	Setting
SPEAKER OUT with Power Amplifier (Default)	
LINE OUT without Power Amplifier	

4. Card Figure for “YMF724 J8x with 4-Channel Output”



4.1. Connectors for “YMF724 J8x with 4-channel Output”

4.1.1. External Connectors:

- J1:..... ∅ 3.5mm Phone Jack for **LINE IN**
- J2:..... ∅ 3.5mm Phone Jack for **MIC IN**
- J3:..... ∅ 3.5mm Phone Jack for **LINE OUT** (for J80 only)
- J4:..... ∅ 3.5mm Phone Jack for **SPEAKER OUT** (for J80 only)
- J5:..... Connector for **MIDI/JOYSTICK**

4.1.2. Internal Connectors:

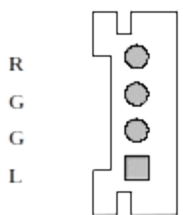
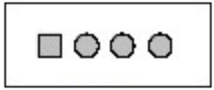


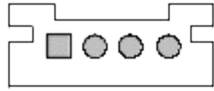
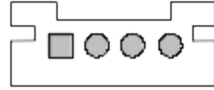

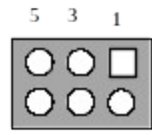


- J6:..... Internal connector for **LINE IN** (optional)
- J7:..... Internal connector for **MIC IN** (optional)
- J8:..... Internal connector for **LINE OUT** (optional/ for J80 only)
- J9:..... Internal connector for **SPEAKER OUT** (optional/ for J80 only)

- J10:..... Connector for **CD AUDIO IN** (ATAPI)
- J11:..... Connector for **CD AUDIO IN** (JST)

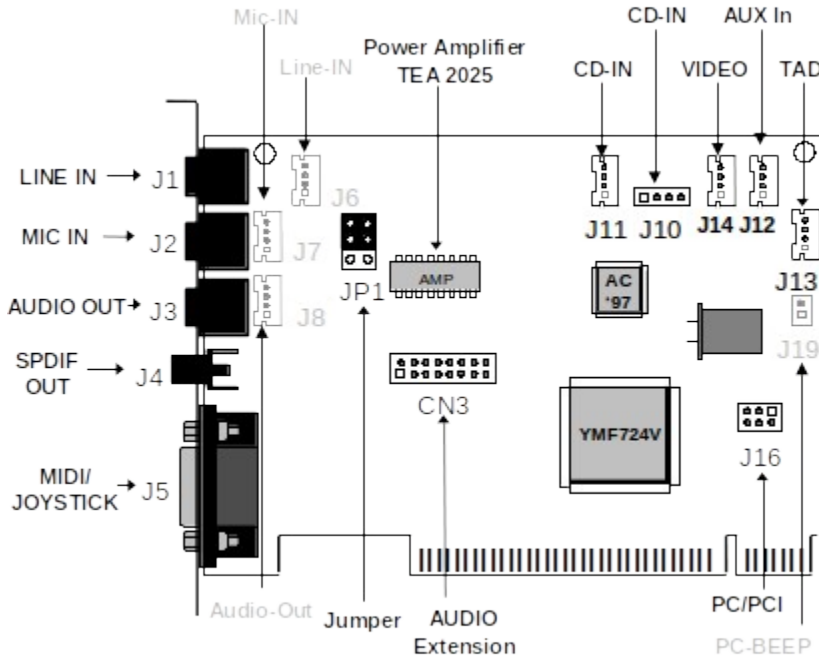
- J12:..... Connector for **AUX IN**.
- J13:..... Connector for **TAD/VOICE MODEM**.
- J14:..... Connector for **VIDEO IN**.
- J16:..... Connector for **PC/PCI Legacy Audio SIDEBAND SIGNAL**.
- J19:..... Connector for **PC-BEEP** (optional)
- J20:..... Connector for **SPDIF** (optional)

- CN3:..... Extension connector for **6-Channel AUDIO** (optional)

4.2. Audio Connectors Pin Assignment:

J6/J7/J8 (Optional)		<p>L: LEFT CHANNEL SIGNAL G: GROUND R: RIGHT CHANNEL SIGNAL</p>
J10 (CD-IN)		<p>L: LEFT CHANNEL SIGNAL G: GROUND R: RIGHT CHANNEL SIGNAL</p>
J11 (CD-IN)	 <p>L G G R</p>  <p>G L G R</p>	<p>L: LEFT CHANNEL SIGNAL G: GROUND R: RIGHT CHANNEL SIGNAL</p>
J12 (AUX-IN)	 <p>L G G R</p>	<p>L: LEFT CHANNEL SIGNAL G: GROUND R: RIGHT CHANNEL SIGNAL</p>
J13 (TAD/Voice Modem)	 <p>1 2 3 4</p>	<p>1: PHONE IN 2,3 : GROUND 4: MONO OUT</p>
J14 (VIDEO-IN)	 <p>L G G R</p>	<p>L: LEFT CHANNEL SIGNAL G: GROUND R: RIGHT CHANNEL SIGNAL</p>
J16 (PC/PCI)	 <p>5 3 1</p> <p>6 4 2</p>	<p>1: PCGNT # 2: GROUND 3: N.C. 4: PCREQ# 5: GROUND 6: SERIRQ#</p>
J19 (PC-BEEP)option	 <p>1 2</p>	<p>1: PC SPEAKER OUT 2: +5V</p>
J20 (S/PDIF)option	 <p>1 2 3 4</p>	<p>1: S/PDIF OUTPUT 2,3: GROUND 4: S/PDIF OUTPUT</p>

5. Card Figure for “YMF724 J8x with S/PDIF Output”



5.1. Connectors for “YMF724 with S/PDIF Output”

5.1.1. External Connectors:

- J1:..... ∅ 3.5mm Phone Jack for **LINE IN**
- J2:..... ∅ 3.5mm Phone Jack for **MIC IN**
- J3:..... ∅ 3.5mm Phone Jack for **AUDIO OUT**
- J4:..... RCA Jack for **SPDIF OUT**
- J5:..... Connector for **MIDI/JOYSTICK**

5.1.2. Internal Connectors:



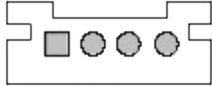

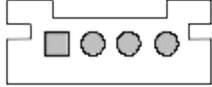



- J6:..... Internal connector for **LINE IN** (optional)
- J7:..... Internal connector for **MIC IN** (optional)
- J8:..... Internal connector for **AUDIO OUT** (optional)

- J10:..... Connector for **CD AUDIO IN** (ATAPI)
- J11:..... Connector for **CD AUDIO IN** (JST)

- J12:..... Connector for **AUX IN**.
- J13:..... Connector for **TAD/VOICE MODEM**.
- J14:..... Connector for **VIDEO IN**.
- J16:..... Connector for **PC/PCI Legacy Audio SIDEBAND SIGNAL**.
- J19:..... Connector for **PC-BEEP** (optional)

- CN3:..... Extension connector for **6-Channel AUDIO** (optional)
- JP1:..... Jumper for switching between **LINE OUT/SPEAKER OUT**

5.2. Audio Connectors Pin Assignment:

J6/J7/J8 (Optional)	 <p>R G G L</p>	<p>L: LEFT CHANNEL SIGNAL G: GROUND R: RIGHT CHANNEL SIGNAL</p>
J10 (CD-IN)	 <p>L G G R</p>	<p>L: LEFT CHANNEL SIGNAL G: GROUND R: RIGHT CHANNEL SIGNAL</p>
J11 (CD-IN)	 <p>L G G R</p> <p>G L G R</p>	<p>L: LEFT CHANNEL SIGNAL G: GROUND R: RIGHT CHANNEL SIGNAL</p>
J12 (AUX-IN)	 <p>L G G R</p>	<p>L: LEFT CHANNEL SIGNAL G: GROUND R: RIGHT CHANNEL SIGNAL</p>
J13 (TAD/Voice Modem)	 <p>1 2 3 4</p>	<p>1: PHONE IN 2,3 : GROUND 4: MONO OUT</p>
J14 (VIDEO-IN)	 <p>L G G R</p>	<p>L: LEFT CHANNEL SIGNAL G: GROUND R: RIGHT CHANNEL SIGNAL</p>
J16 (PC/PCI)	 <p>5 3 1 6 4 2</p>	<p>1: PCGNT # 2: GROUND 3: N.C. 4: PCREQ# 5: GROUND 6: SERIRQ#</p>
J19 (PC-BEEP)option	 <p>1 2</p>	<p>1: PC SPEAKER OUT 2: +5V</p>

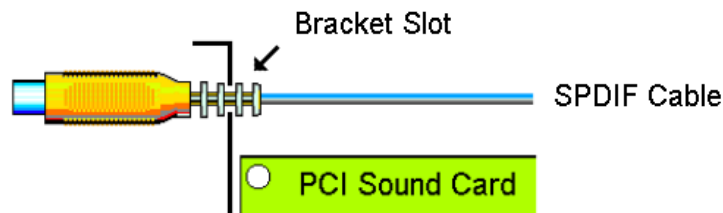
5.3. Audio Output Jumper Settings :

Audio	Setting
SPEAKER OUT with Power Amplifier (Default)	
LINE OUT without Power Amplifier	

6. HARDWARE INSTALLATION

6.1. SPDIF Cable for D10/G50

If your package contains a SPDIF cable and you want to use digital Output (SPDIF connector), please insert the SPDIF cable into the bracket slot of your PCI sound card, as displayed in the following figure.



6.2. Handling the PCI Sound Card

WARNING: Static electricity can damage your equipment. Do not take the card out of its static protective bag until you are ready to work with it.

Follow these precautions when handling the card:

- Before you open the static protective bag, touch it to a metal expansion slot cover on the back of your computer. This drains static electricity from the package and from your body.
- Do not touch any exposed printed circuitry after opening the package.
- Keep other people from touching the card. They might have a static-electricity build-up.
- Limit your movement. Movement causes a build-up of static electricity.

6.3. Installing the PCI Sound Card

- Step 1.** Turn off the system and all peripheral devices.
- Step 2.** Disconnect the power cord and all peripheral devices from the system.
- Step 3.** Remove the system cover and identify an unused PCI slot.
- Step 4.** Unscrew the slot cover plate, plug in the PCI Sound Card, and tighten it with the screw.
- Step 5.** If you have speakers or amplifiers, plug the cable into the **J3** or **J4** Jack on the back of the Sound Card.
- Step 6.** Depending on what type of CD Audio cable you have connect **J10** or **J11** on the Sound Card and the Audio output at the back of the CD-ROM drive. Make sure pin 1 of **J10** or **J11** is connected to the leftmost pin of the CD-ROM Audio output.

- Step 7.** Put back the system cover, reconnect the system power cord and all peripheral devices. Check and make sure all connections are correct before you turn on the system.

NOTE: If your mother board supports PC/PCI Legacy Audio Sideband Signal, please connect the cable of the PC/PCI Legacy Audio Sideband Signal to J16 on the PCI Sound Card in order to perform best compatibility of legacy DOS.

A-120-0029
Version 2.3