

## Important Precautions

**This unit has been engineered and manufactured to ensure your personal safety, however improper use may result in potential e shock or fire hazards. In order to allow the proper operation of all safeguards incorporated in this display, observe the following basic rules for its installation, use, and servicing.**

### On Safety

Use only the power cord supplied with the unit. In case you use another power cord, make sure that it is certified by the applicable national standards if not being provided by the supplier. If the power cable is faulty in any way, please contact the manufacturer or the nearest authorized repair service provider for a replacement.

The power supply cord is used as the main disconnection device. Ensure that the socket-outlet is easily accessible after installation.

Operate the display only from a power source indicated in the specifications of this manual or listed on the display. If you are not sure what type of power supply you have in your home, consult with your dealer.

Overloaded AC outlets and extension cords are dangerous. So are frayed power cords and broken plugs. They may result in a shock or fire hazard. Call your service technician for replacement.

Do not Open the Display.

- There are no user serviceable components inside.
- There are Dangerous High Voltages inside, even when the power is OFF.
- Contact your dealer if the display is not operating properly.

To Avoid Personal Injury :

- Do not place the display on a sloping shelf unless properly secured.
- Use only a stand recommended by the manufacturer.

To Prevent Fire or Hazards:

- Always turn the display OFF if you leave the room for more than a short period of time. Never leave the display ON when leaving the house.
- Keep children from dropping or pushing objects into the display's cabinet openings. Some internal parts carry hazardous voltages.
- Do not add accessories that have not been designed for this display.
- During a lightning storm or when the display is to be left unattended for an extended period of time, unplug it from the wall outlet.

## Important Precautions

### On Installation

Do not allow anything to rest upon or roll over the power cord, and do not place the display where the power cord is subject to damage.

Do not use this display near water such as near a bathtub, washbowl, kitchen sink, laundry tub, in a wet basement, or near a swimming pool.

Displays are provided with ventilation openings in the cabinet to allow the release of heat generated during operation. If these openings are blocked, built-up heat can cause failures which may result in a fire hazard. Therefore, NEVER:

- Block the bottom ventilation slots by placing the display on a bed, sofa, rug, etc.
- Place the display in a built-in enclosure unless proper ventilation is provided.
- Cover the openings with cloth or other material.
- Place the display near or over a radiator or heat source.

Do not rub or strike the Active Matrix LCD with anything hard as this may scratch, mar, or damage the Active Matrix LCD permanently.

Do not press the LCD screen with your finger for a long time as this may cause some afterimages.

Some dot defects may appear as Red, Green or Blue spots on the screen. However, this will have no impact or effect on the display performance.

If possible, use the recommended resolution to obtain the best image quality for your LCD display. If used under any mode except the recommended resolution, some scaled or processed images may appear on the screen. However, this is characteristic of the fixed-resolution LCD panel.

### On Cleaning

- Unplug the display before cleaning the face of the display screen.
- Use a slightly damp (not wet) cloth. Do not use an aerosol directly on the display screen because over-spraying may cause electrical shock.

### On Repacking

- Do not throw away the carton and packing materials. They make an ideal container in which to transport the unit. When shipping the unit to another location, repack it in its original material.

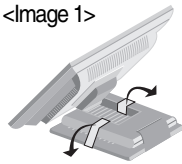
## Connecting the Display

- Before setting up the monitor, ensure that the power to the monitor, the computer system, and other attached devices is turned off.

### Positioning your display

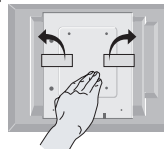
1. Remove the tape.

<Image 1>



Put the set as the picture below <Image 1> to remove the tape.

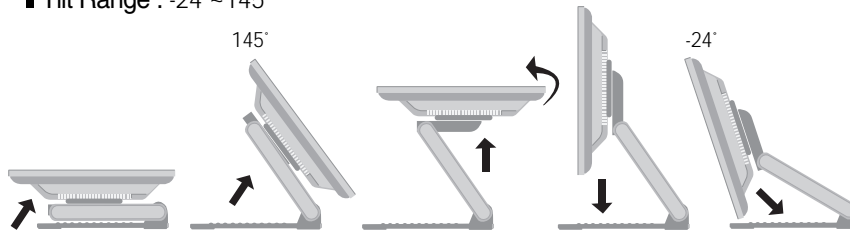
<Image 2>



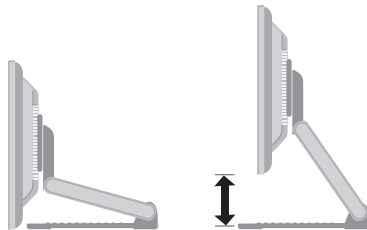
Do not remove the tape with the set up side down as the <Image 2>. The base part may spring up to injure your hand.

2. Adjust the position of the panel in various ways for maximum comfort.

- Tilt Range :  $-24^{\circ} \sim 145^{\circ}$



- Height Range : maximum 3.39inch (86.1mm)



- Landscape & Portrait : You can rotate the panel  $90^{\circ}$  clockwise.  
(\* For detailed information, please refer to the Pivot Software CD provided.)



### Ergonomic

It is recommended that in order to maintain an ergonomic and comfortable viewing position, the forward tilt angle of the monitor should not exceed 5 degrees.

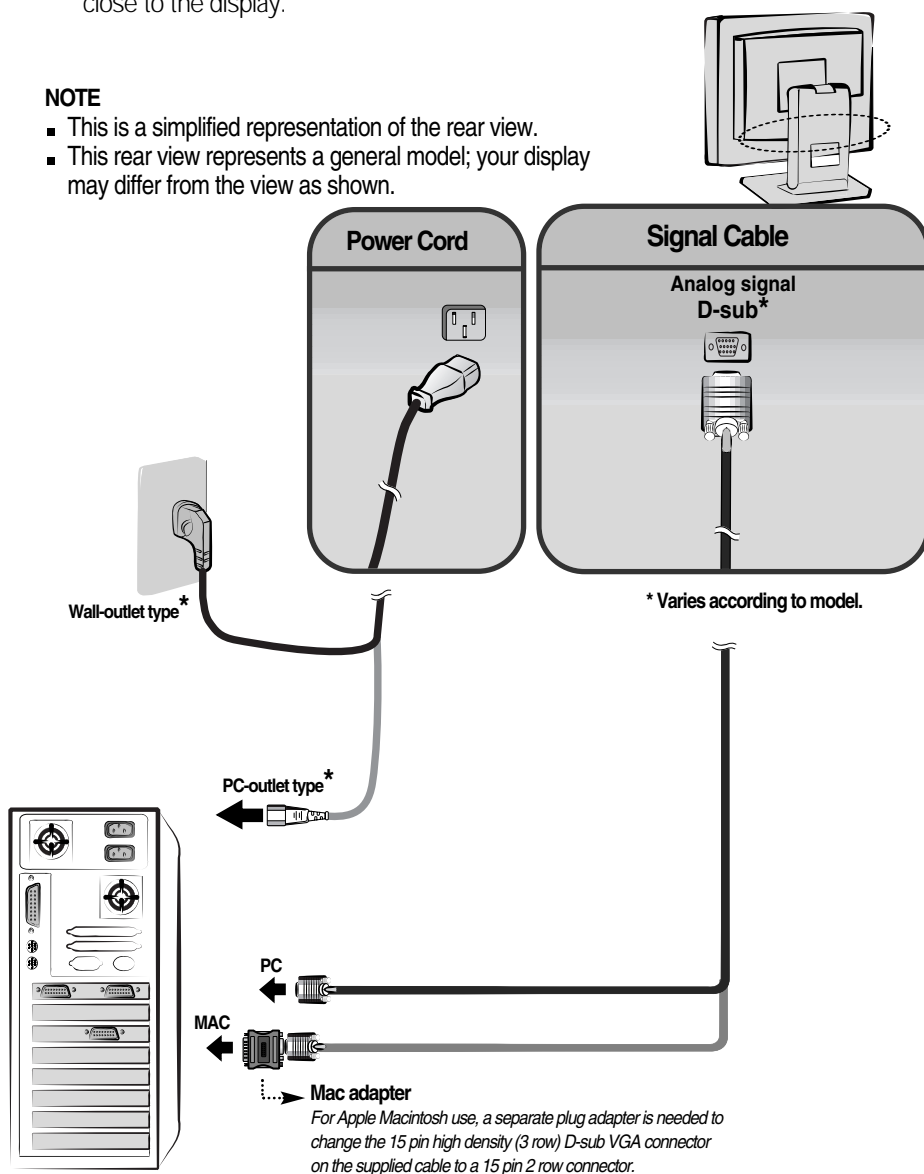
## Connecting the Display

### Using the Computer

1. Connect the signal cable. When attached, tighten the thumbscrews to secure the connection.
2. Connect the power cord into a proper power outlet that is easily accessible and close to the display.

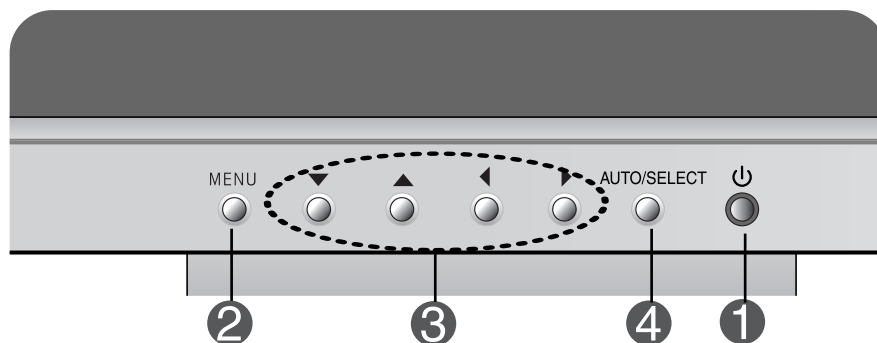
#### NOTE

- This is a simplified representation of the rear view.
- This rear view represents a general model; your display may differ from the view as shown.



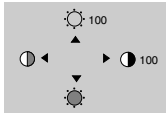



## Control Panel Functions

### Front Panel Controls



Control	Function
<b>1</b> Power Button	Use this button to turn the display on or off.
Power (DPMS) Indicator	This Indicator lights up green when the display operates normally. If the display is in DPM (Energy Saving) mode, this indicator color changes to amber.
<b>2</b> MENU Button	Use this button to enter or exit the On Screen Display.
<b>3</b> ▼▲◀▶ Buttons	Use these buttons to choose or adjust items in the On Screen Display.
<b>4</b> AUTO/SELECT Button	Use this button to enter a selection in the On Screen Display.

## Control Panel Functions

Control	Direct Access Function
	<p><b>3</b> ▼▲◀▶ Bring up Contrast and Brightness adjustment.</p>
	<p><b>4</b> <b>AUTO adjustment function</b></p> <p>When adjusting your display settings, always press the <b>AUTO/SELECT</b> button before entering the On Screen Display(OSD). This will automatically adjust your display image to the ideal settings for the current screen resolution size (display mode).</p> <p>The best display mode is <b>1024x768</b>.</p>
 	<p><b>CONTROLS LOCKED/UNLOCKED</b> : MENU and ▶</p> <p>This function allows you to secure the current control settings, so that they cannot be inadvertently changed. Press and hold the MENU button and ▶ button for 3 seconds: the message “<b>CONTROLS LOCKED</b>” appears.</p> <p>You can unlock the OSD controls at any time by pushing the MENU button and ▶ button for 3 seconds: the message “<b>CONTROLS UNLOCKED</b>” will appear.</p>

## On Screen Display (OSD) Control Adjustment

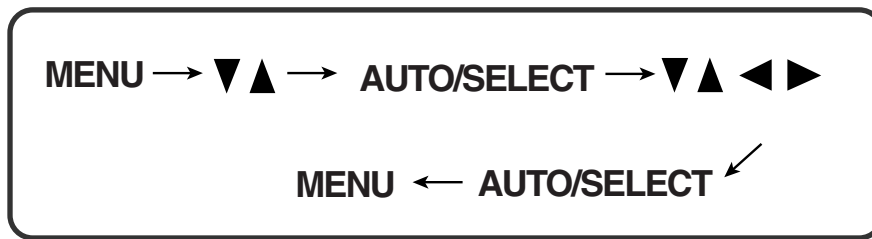
### Screen Adjustment

Making adjustments to the image size, position and operating parameters of the display is quick and easy with the On Screen Display Control system. A short example is given below to familiarize you with the use of the controls. The following section is an outline of the available adjustments and selections you can make using the OSD.

#### NOTE

- Allow the display to stabilize for at least 30 minutes before making image adjustments.

To make adjustments in the On Screen Display, follow these steps:



- 1** Press the **MENU** Button, then the main menu of the OSD appears.
- 2** To access a control, use the **▼** or **▲** Buttons. When the icon you want becomes highlighted, press the **AUTO/SELECT** Button.
- 3** Use the **▼▲◀▶** Buttons to adjust the item to the desired level.
- 4** Accept the changes by pressing the **AUTO/SELECT** Button.
- 5** Exit the OSD by Pressing the **MENU** Button.

## On Screen Display(OSD) Selection and Adjustment

The following table indicates all the On Screen Display control, adjustment, and setting menus.

Main menu	Sub menu			Reference
<b>BRIGHTNESS CONTRAST</b>	BRIGHTNESS		●	To adjust the brightness and contrast of the screen
	CONTRAST		●	
<b>COLOR</b>	PRESET	9300K	●	To customize the color of the screen
		6500K	●	
	R/G/B(User Color)		●	
	GAMMA		●	
<b>POSITION</b>	V POSITION		●	To adjust the position of the screen
	H POSITION		●	
<b>TRACKING</b>	CLOCK		●	To improve the clarity and stability of the screen
	PHASE		●	
<b>SETUP</b>	LANGUAGE		●	To customize the screen status for a user's operating environment
	OSD POSITION		●	
	BEEP*			
● : Adjustable				

### NOTE

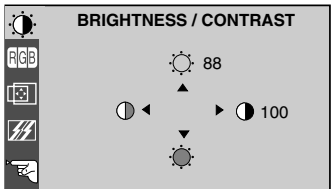
- The order of icons may differ depending on the model (A8~A10).
- \* This function is available for designated models only.



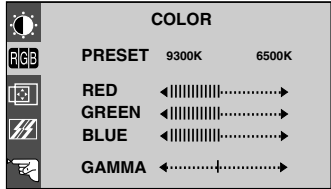
## On Screen Display(OSD) Selection and Adjustment

You were introduced to the procedure of selecting and adjusting an item using the OSD system. Listed below are the icons, icon names, and icon descriptions of the all items shown on the Menu.

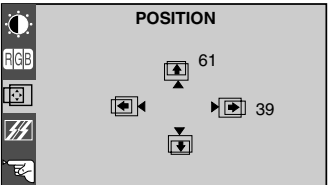
### To adjust the brightness and contrast of the screen

OSD Adjust	Description
 <p>The screenshot shows the 'BRIGHTNESS / CONTRAST' OSD menu. It features a vertical sidebar with icons for brightness/contrast, RGB, input, and power. The main area has a central sun icon with '88' and a left-right slider with '100' on the right. Below the sun is another sun icon with a left-right slider.</p>	<p><b>BRIGHTNESS</b> To adjust the brightness of the screen.</p> <p><b>CONTRAST</b> To adjust the contrast of the screen.</p>

### To customize the color of the screen

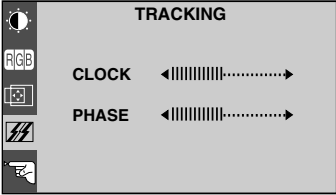
OSD Adjust	Description
 <p>The screenshot shows the 'COLOR' OSD menu. It features a vertical sidebar with icons for color, RGB, input, and power. The main area has 'PRESET' with '9300K' and '6500K' options. Below are 'RED', 'GREEN', 'BLUE', and 'GAMMA' settings, each with a horizontal bar and arrows.</p>	<p><b>PRESET 9300K/6500K</b> Select the screen color.</p> <ul style="list-style-type: none"> <li>• 9300K: Slightly bluish white.</li> <li>• 6500K: Slightly reddish white.</li> </ul> <p><b>RED GREEN BLUE</b> Set your own color levels.</p> <p><b>GAMMA</b> Set your own gamma value. (-50~50) On the monitor, high gamma values display whitish images and low gamma values display high contrast images.</p>

### To adjust the position of the screen

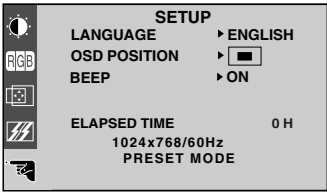
OSD Adjust	Description
 <p>The screenshot shows the 'POSITION' OSD menu. It features a vertical sidebar with icons for position, RGB, input, and power. The main area has a central monitor icon with '61' and a left-right slider with '39' on the right. Below the monitor are four directional arrow icons.</p>	<p><b>Vertical Position</b> To move image up and down.</p> <p><b>Horizontal Position</b> To move image left and right.</p>

## On Screen Display(OSD) Selection and Adjustment

### To improve the clarity and stability of the screen

OSD Adjust	Description
	<p><b>CLOCK</b> To minimize any vertical bars or stripes visible on the screen background. The horizontal screen size will also change.</p> <p><b>PHASE</b> To adjust the focus of the display. This item allows you to remove any horizontal noise and clear or sharpen the image of characters.</p>

### To customize the screen status for a user's operating environment

OSD Adjust	Description
	<p><b>LANGUAGE</b> To choose the language in which the control names are displayed.</p> <p><b>OSD POSITION</b> To adjust position of the OSD window on the screen.</p> <p><b>BEEP*</b> To select beep ON or OFF.</p> <p><b>ELAPSED TIME</b> To display the use time of display.</p>

#### NOTE

- \* This function is available for designated models only.

PAGE A8

## Troubleshooting

Check the following before calling for service.

No image appears	
● Is the power cord of the display connected?	<ul style="list-style-type: none"><li>• Check and see if the power cord is connected properly to the power outlet.</li></ul>
● Is the power indicator light on?	<ul style="list-style-type: none"><li>• Press the Power button.</li></ul>
● Is the power on and the power indicator green?	<ul style="list-style-type: none"><li>• Adjust the brightness and the contrast.</li></ul>
● Is the power indicator amber?	<ul style="list-style-type: none"><li>• If the display is in power saving mode, try moving the mouse or pressing any key on the keyboard to bring up the screen.</li><li>• Make sure if the power is on.</li><li>• Try to turn on the PC.</li></ul>
● Do you see an "INPUT SIGNAL OUT OF RANGE" message on the screen?	<ul style="list-style-type: none"><li>• This message appears when the signal from the PC (video card) is out of horizontal or vertical frequency range of the display. See the 'Specifications' section of this manual and configure your display again.</li></ul>
● Do you see a "NO SIGNAL" message on the screen?	<ul style="list-style-type: none"><li>• This message appears when the signal cable between your PC and your display is not connected. Check the signal cable and try again.</li></ul>

Do you see a "CONTROLS LOCKED" message on the screen?	
● Do you see "CONTROLS LOCKED" when you push MENU button?	<ul style="list-style-type: none"><li>• You can secure the current control settings, so that they cannot be inadvertently changed. You can unlock the OSD controls at any time by pushing the <b>MENU</b> button and <b>▶</b> button for 3 seconds: the message "<b>CONTROLS UNLOCKED</b>" will appear.</li></ul>

## Troubleshooting



### Display image is incorrect

- |   |  |
|---|--|
| <ul style="list-style-type: none"><li>● <b>Display Position is incorrect.</b></li><br/><li>● <b>On the screen background, vertical bars or stripes are visible.</b></li><br/><li>● <b>Any horizontal noise appearing in any image or characters are not clearly portrayed.</b></li><br/><li>● <b>The screen color is mono or abnormal.</b></li><br/><li>● <b>The screen blinks.</b></li></ul> | <ul style="list-style-type: none"><li>• Press the <b>AUTO/SELECT</b> button to automatically adjust your display image to the ideal setting.<br/>If the results are unsatisfactory, adjust the image position using the <b>H position and V position</b> icon in the on screen display.</li><li>• Check <b>Control Panel --&gt; Display --&gt; Settings</b> and see if the frequency or the resolution were changed. If yes, readjust the video card to the recommend resolution.</li><br/><li>• Press the <b>AUTO/SELECT</b> button to automatically adjust your display image to the ideal setting.<br/>If the results are unsatisfactory, decrease the vertical bars or stripes using the <b>CLOCK</b> icon in the on screen display.</li><br/><li>• Press the <b>AUTO/SELECT</b> button to automatically adjust your display image to the ideal setting.<br/>If the results are unsatisfactory, decrease the horizontal bars using the <b>PHASE</b> icon in the on screen display.</li><li>• Check <b>Control Panel --&gt; Display --&gt; Settings</b> and adjust the display to the recommended resolution or adjust the display image to the ideal setting. Set the color setting higher than 24 bits (true color).</li><br/><li>• Check if the signal cable is properly connected and use a screwdriver to fasten if necessary.</li><li>• Make sure the video card is properly inserted in the slot.</li><li>• Set the color setting higher than 24 bits (true color) at <b>Control Panel - Settings</b>.</li><br/><li>• Check if the screen is set to interlace mode and if yes, change it to the recommend resolution.</li><li>• Make sure the power voltage is high enough, It has to be hgher than <b>AC100-240V 50/60Hz</b>.</li></ul> |
|---|--|

### Have you installed the display driver?

- |  |   |
|--|---|
| <ul style="list-style-type: none"><li>● <b>Have you installed the display driver?</b></li><li>● <b>Do you see an "Unrecognized monitor, Plug&amp;Play (VESA DDC) monitor found" message?</b></li></ul> | <ul style="list-style-type: none"><li>• Be sure to install the display driver from the display driver CD (or diskette) that comes with your display. Or, you can also download the driver from our web site: <a href="http://www.lge.com">http://www.lge.com</a>.</li><li>• Make sure to check if the video card supports Plug&amp;Play function.</li></ul> |
|--|---|

## Specifications

<b>Display</b>	15 inches (38.1cm) Flat Panel Active matrix-TFT LCD Anti-Glare coating 15 inches viewable 0.3 mm pixel pitch	
<b>Sync Input</b>	Horizontal Freq.	30 - 63kHz (Automatic)
	Vertical Freq.	56 - 75Hz (Automatic)
	Input Form	Separate TTL, Positive/Negative
<b>Video Input</b>	Signal Input	15 pin D-Sub Connector
	Input Form	RGB Analog (0.7Vp-p/75ohm)
<b>Resolution</b>	Max	VESA 1024 x 768@75Hz
	Recommend	VESA 1024 x 768@60Hz
<b>Plug&amp;Play</b>	DDC 2B	
<b>Power Consumption</b>	Normal	: 28W
	Stand-by/Suspend	≤ 3W
	DPMS Off	≤ 3W
<b>Dimensions &amp; Weight (with tilt stand)</b>	<b>Full Up Position</b>	
		
	Width	35.60 cm / 14.02 inches
	Height	38.00 cm / 14.96 inches
	Depth	22.90 cm / 9.02 inches
	Net	5.1 kg (11.24 lbs)
<b>Folded Position</b>		
		
Width	35.60 cm / 14.02 inches	
Height	10.33 cm / 4.07 inches	
Depth	29.14 cm / 11.47 inches	
<b>Tilt Range</b>	Tilt Range	-24° ~ 145° (Head)
	Height Range	3.89inch (86.1mm)
	Rotate	90° clockwise (Landscape->Portrait)
<b>Power Input</b>	AC 100-240V 50/60Hz 0.6A	
<b>Environmental Conditions</b>	<b>Operating Conditions</b>	
	Temperature	10°C to 35 °C
	Humidity	10 % to 80 % non-Condensing
	<b>Storage Conditions</b>	
Temperature	-20°C to 60 °C	
Humidity	5 % to 95 % non-Condensing	
<b>Tilt Stand</b>	Attached( O ), Detached ( )	
<b>Signal cable</b>	Attached( ), Detached ( O )	
<b>Power cord</b>	Wall-outlet type or PC-outlet type	
<b>Regulations</b>	TCO99	

### NOTE

- Information in this document is subject to change without notice.

## Specifications

### Preset Modes (Resolution)

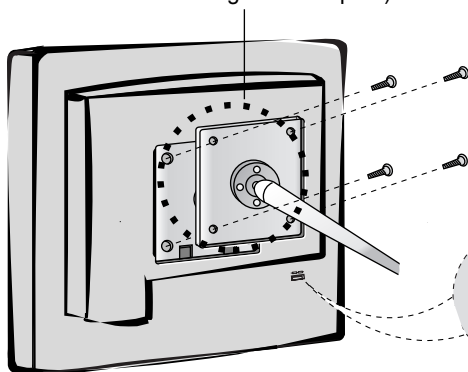
	Display Modes (Resolution)		Horizontal Freq. (kHz)	Vertical Freq. (Hz)
1	VGA	640 x 350	31.468	70
2	VGA	720 x 400	31.468	70
3	VGA	640 x 480	31.469	60
4	VESA	640 x 480	35.000	66.67
5	VESA	640 x 480	37.861	72.8
6	VESA	640 x 480	37.500	75
7	VESA	800 x 600	35.156	56.25
8	VESA	800 x 600	37.879	60
9	VESA	800 x 600	48.077	72
10	VESA	800 x 600	46.875	75
11	MAC	832 x 624	49.725	75
*12	VESA	1024 x 768	48.363	60
13	VESA	1024 x 768	56.476	70
14	VESA	1024 x 768	60.023	75

#### \*Recommended

Unlike CRT monitors, which require a high refresh rate to minimize flickering, TFT technology is inherently flicker-free. If possible, configure your computer for 1024 x 768 addressability at 60Hz vertical refresh rate.

#### VESA wall mounting

Connected to another object (stand type and wall-mounted type. This monitor accepts a VESA-compliant mounting interface pad.)



#### Kensington Security Slot- optional

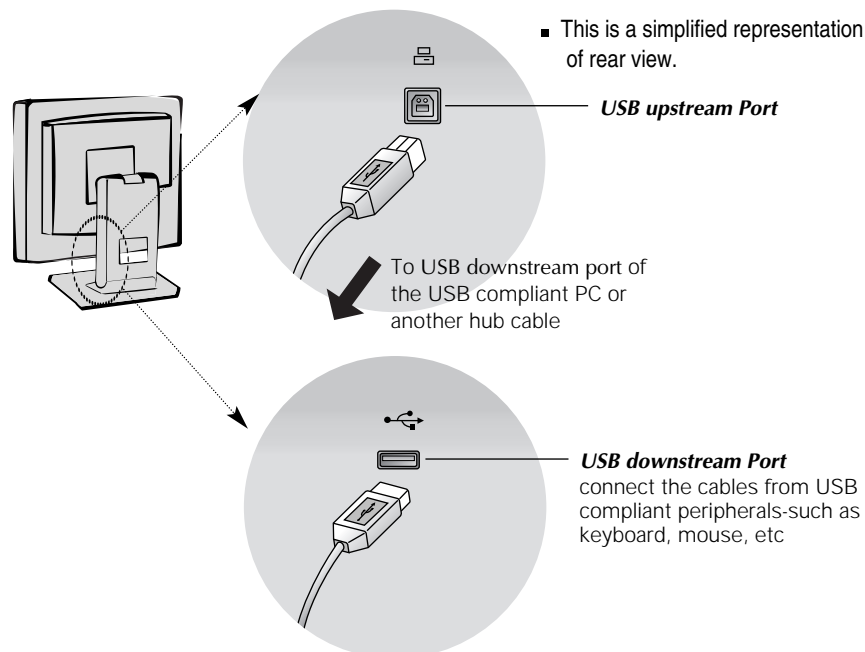
Connected to a locking cable that can be purchased separately at most computer stores

## Making use of USB (Universal Serial Bus) - Optional

**USB (Universal Serial Bus) is an innovation in connecting your different desktop peripherals conveniently to your computer. By using the USB, you will be able to connect your mouse, keyboard, and other peripherals to your display instead of having to connect them to your computer. This will give you greater flexibility in setting up your system. USB allows you to connect a chain of up to 120 devices on a single USB port; and you can “hot” plug (attach them while the computer is running) or unplug them while maintaining the Plug and the Plug auto detection and configuration. This display has an integrated BUS-powered USB hub, allowing up to 2 other USB devices to be attached it.**

### USB connection

1. Connect the upstream port of the display to the downstream port of the USB compliant PC or another hub using the USB cable. (Computer must have a USB port)
2. Connect the USB compliant peripherals to the downstream ports of the display.



### NOTE

- To activate the USB hub function, the display must be connected to a USB compliant PC(OS) or another hub with the USB cable(enclosed).
- When connecting the USB cable, check that the shape of the connector at the cable side matches the shape at the connecting side.
- Even if the display is in a power saving mode, USB compliant devices will function when they are connected the USB ports(both the upstream and downstream) of the display.



## Making use of USB (Universal Serial Bus) - Optional

### USB Specifications

<b>USB standard</b>	Rev. 1.1 complied BUS-powered hub
<b>Downstream power supply</b>	100mA for each (MAX)
<b>Communication speed</b>	12 Mbps (full), 1.5 Mbps (low)
<b>USB port</b>	1 Upstream port 2 Downstream ports

**IMPORTANT:** These USB connectors are not designed for use with high-power USB devices such as a video camera, scanner, etc. LGE recommends connecting high-power USB devices directly to the computer