



Gigacore 5-Port 10/100/1000Mbps Desktop Switch

Part number GNS-501G

** **Note:** Before using your product, please read this manual instruction carefully*

CONTENTS

Introduction	1
Package Contents.....	1
Product Overview.....	1
Front Panel	2
Rear Panel	2
Main Features	1
Installation	3
Notes before Installation	3
Installation Procedures	3
Sample Network Topology.....	4
Specification	5
CE Mark Warning.....	6

Introduction

Package Contents

Thank you for choosing our product. *Switch to our World*

Please make sure there isn't anything missing, the content includes the following items

- 1 x Awesome 5-Port 10/100/1000Mbps Desktop Switch
- 1 x Power Adapter
- 1 x User Manual

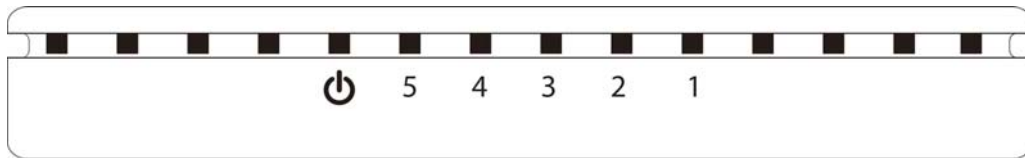
Product Overview

This is a multiport switch and is the perfect choice to upgrade your network to 1000Mbps. It provides you with a high-performance, seamless, low-cost and easy-to-use 1000Mbps network, ideal for multimedia, graphics, HD video and other applications that require large transferring allocation. All five ports support auto-negotiation and auto-MDI/MDIX eliminating the need for a cross over cables. Connection speeds are automatically detected. The 5-Port Desktop Switch is compatible with any 10/100/1000Mbps Ethernet device. The latest innovative energy-efficient technologies are implemented making this switch an eco-friendly solution for your home or office network, saving you up to 75% of the power consumption.

Main Features

- Complies with IEEE 802.3, IEEE 802.3u and IEEE 802.3ab standards
- Five Auto-Negotiation ports provide smart switching between 10Mbps, 100Mbps and 1000Mbps hardware
- Supports Auto-MDI/MDIX, eliminating the need for crossover cables
- Supports IEEE 802.3x flow control for Full Duplex mode and backpressure for Half Duplex mode
- Supports MAC address auto-learning and auto-aging
- Non-blocking switching architecture enables full wire-speed packets forwarding and filtering
- Fanless design ensures quiet operation without disturbing your family
- Plug and Play design simplifies installation
- LED indicators for monitoring power, link and activity

Front Panel



LED	Status	Description	
Power	On	Power is on	
	Off	Power is off	
LED (1~5)	On	Amber	Port is connected and operating at 10/100Mbps
		Green	Port is connected and operating at 1000Mbps
	Off	Port is disconnected	
	Blink	Data is transmitting	

Rear Panel



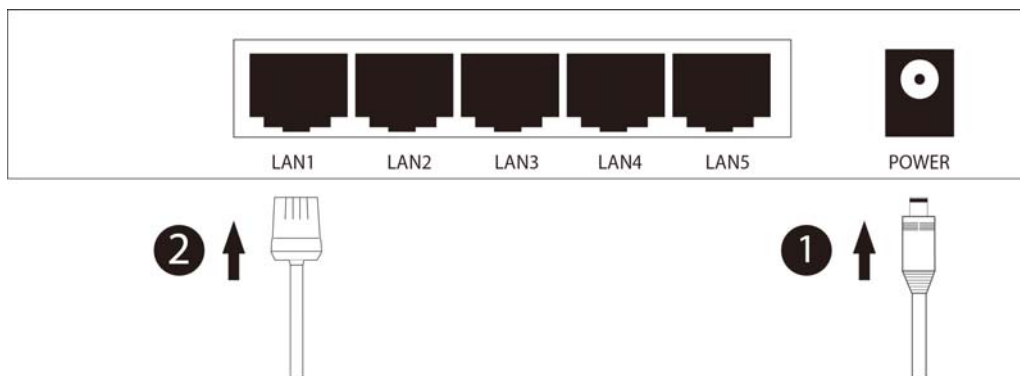
Port	Description
POWER	The Power connector is used in conjunction with the power adapter, to power the unit
LAN (1~5)	Five Auto-Negotiation Ethernet ports used to connect your network devices. The working status can be indicated by the corresponding LED's on the front panel

Installation

Notes before Installation

- The switch isn't waterproof take care with storage, transportation and operation.
- Position the desktop switch away from water moisture and be sure to provide an acceptable temperature and humidity-operating environment.
- Position the switch away from vibrations, dust, direct exposure to sunlight, and strong electromagnetic field generators (such as motors).
- Ensure adequate ventilation space around the switch
- Don't place heavy objects against or upon the switch
- Unplug the switch during electrical thunder storms or power surges

Installation Procedures



Step 1: Connect the supplied power adapter to the Power connector.

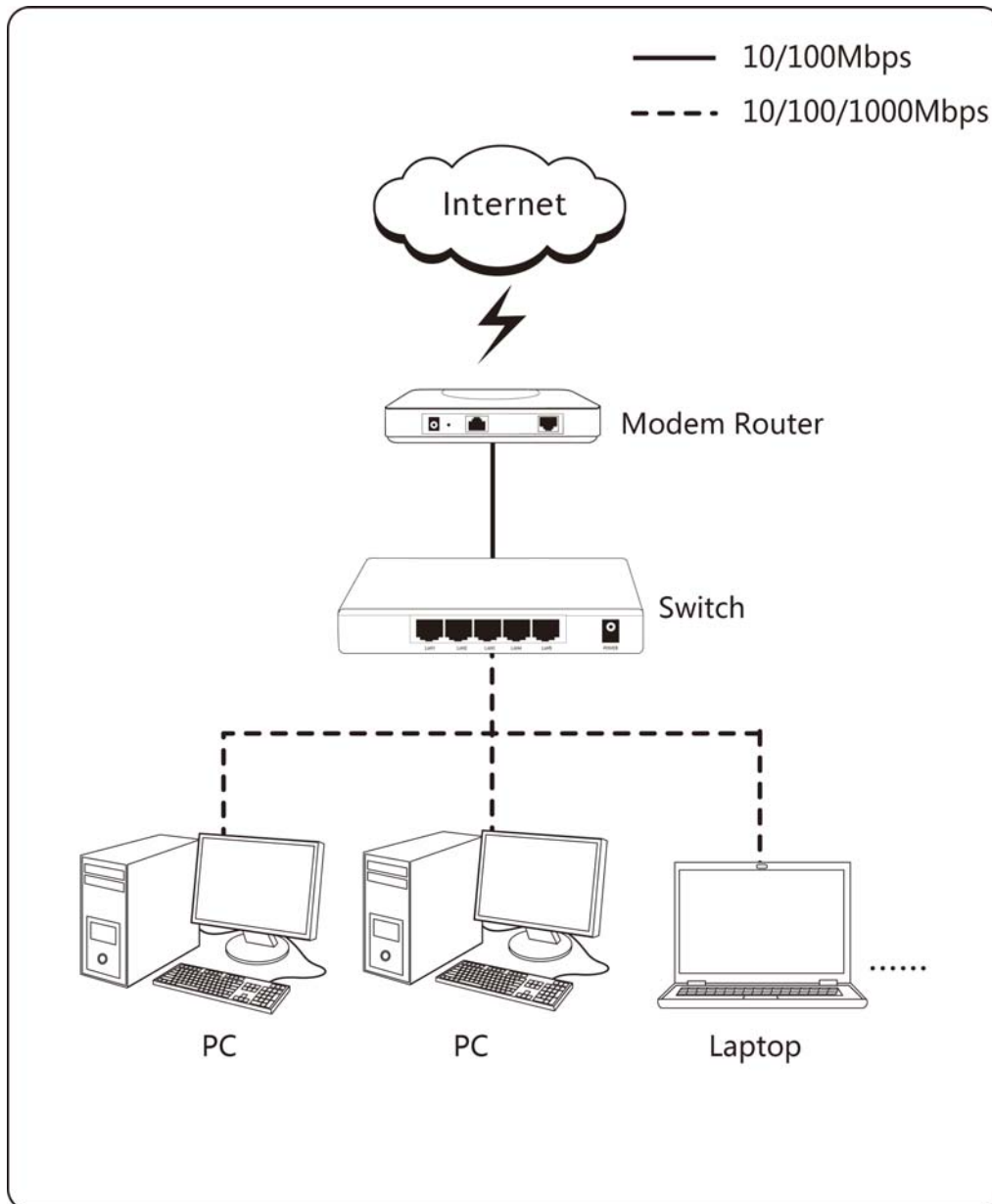
- 1) All 1-5 LED's will flash momentarily, which represents resetting of the system.
- 2) The Power LED indicator will light all the time.

Note: If the LED indicators don't respond as described above, please check the connection of power adapter.

Step 2: Connect the network cables to the switch and that's it

Sample Network Topology

Your switch is now fully installed, please go ahead with connecting your switch with other network devices. Here is a Sample Network Topology for your reference:



Specification

General	
Standards	IEEE 802.3, IEEE 802.3u, IEEE802.3ab, IEEE 802.3x
Protocol	CSMA/CD
Transmission Method	Store-and-Forward
Switching Feature	MAC address auto-learning and auto-aging Half and Full-duplex 10Gbps Backplane Bandwidth
Data Rate	Ethernet: 10 Mbps (Half-duplex), 20Mbps (Full-duplex) Fast Ethernet: 100 Mbps (Half-duplex), 200Mbps (Full-duplex) Gigabit Ethernet: 2000Mbps (Full-duplex)
Hardware	
Interfaces	5 x 10/100/1000Mbps Auto-negotiation, Auto-MDI/MDIX Ethernet Port 1 x Power Connector
LED Indicators	LAN1~LAN5, Power
MAC Address Table	8K
Power Supply	Input: AC 100-240V, 50/60Hz Output: DC 5V/1A
Dimensions (WxDxH)	156mm x 90mm x 27mm
Others	
Operating Temperature	0°C~40°C (32°F~104°F)
Storage Temperature	-40°C~70°C (-40°F~158°F)
Operating Humidity	10%~90%, Non-condensing
Storage Humidity	5%~90%, Non-condensing
Certifications	CE, RoHS
Package Contents	1 x 5-Port Gigabit Desktop Switch 1 x Power Adapter 1 x User Manual

*All references to speed and range are for comparison purposes only. Product specifications, size, and shape are subject to change without notice, and actual product appearance may differ from that depicted herein.

Certification

CE Mark Warning



Marking with the above symbol indicates compliance with the essential requirements and other relevant provisions of Directive 2004/108/EC.

This is a class B product. In a domestic environment, this product may cause radio interference, in which case the user may be required to take adequate measures.

Gigacore reserves the right to change specifications without prior notice.

All brands names and trademarks are property of their respective owners.

Copyright 2011 Gigacore. All rights reserved